

Play house

Tools necessary for instalment

Spirit level, hammer, knife, tape measure, screwdriver (e.g. power drill), crosshead drills No. 1, 2 and 3, 4 mm drill. These tools are not included in the set.

Attention! Wooden structures have not been treated, therefore they need to be impregnated with a wood protection product both from the inside and the outside. It is better to do this before instalment. The decorative strips should also be painted before instalment.

Preparing the base

Place 9 pillar anchors or concrete slates according to the figure (Figure 1) (not included in the set). The top surface of all base plates has to be at the same height. Leave a ventilation gap between the base structure and the ground. If the ground is soft, it is necessary to dig holes under the foundation plates and fill these with sand, which is reinforced with water, for example, and pressed so tight that the pillars do not sink. The play house may be installed on a single base, e.g. a concrete slate, in such a case it is necessary to pay attention also to ventilation.

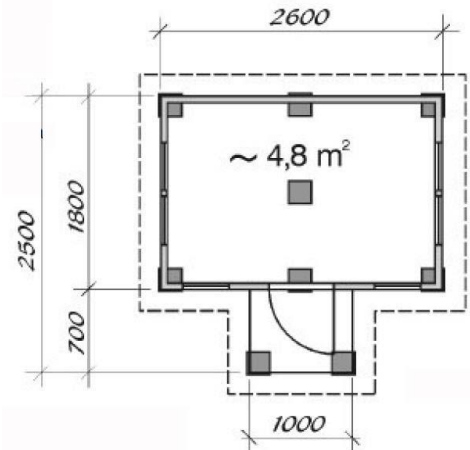


Figure 1

Elements

The play house includes floor, wall, roof, door and handlebar elements. Doors and windows have been installed on the wall elements in the factory, one window can be opened.

Putting the elements together

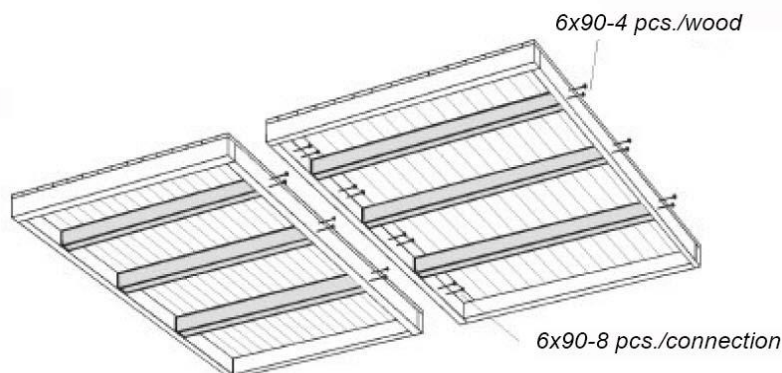


Figure 2

Begin by connecting the floor elements, fasten three units to one side (Figure 2), then fasten the elements to each other with screws. Lift the floor elements onto the pillars and cover the floor with plastic.

Then, the wall elements should be installed. The back and front wall consist of two parts. Firstly fasten the wall elements only to each other (Figure 3).

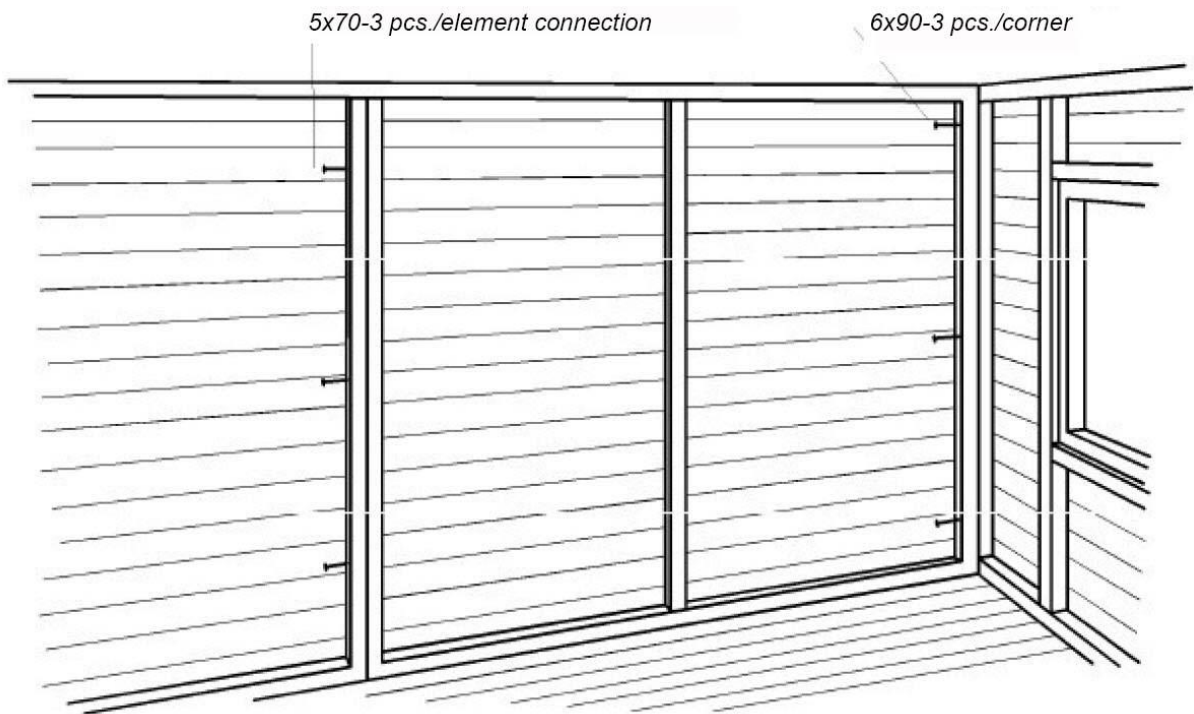


Figure 3

When all four walls are in place, check that the walls align well with the floor, then fasten the walls to the floor with screws (Figure 4).

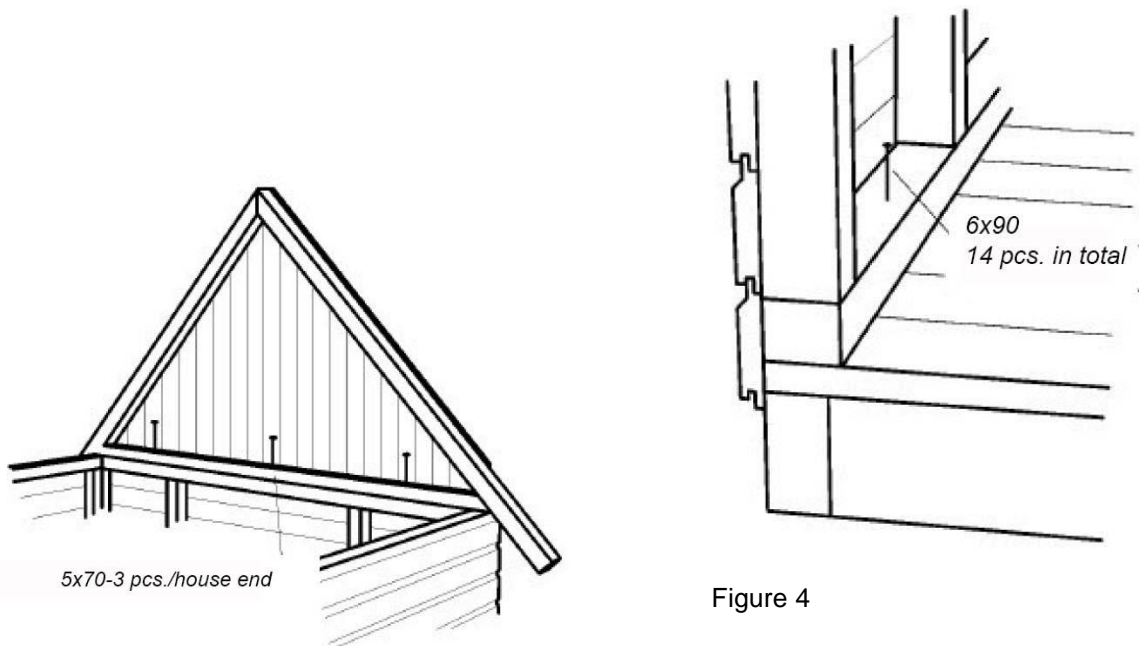


Figure 4

Figure 5

Lift the end triangle onto the wall elements and fasten it to the end wall with screws (Figure 5). Repeat with the other end of the house.

Fasten the roof elements to each other before instalment (Figure 6), then lift the roof element onto the end triangles. Make sure that the elements align well and then fasten them to the end triangles with screws (Figure 7). The roof elements are fastened to each other near the ridge in the way shown on Figure 8.

The crack between the eaves and the roof is covered with a board fastened to the roof with screws (Figure 9).

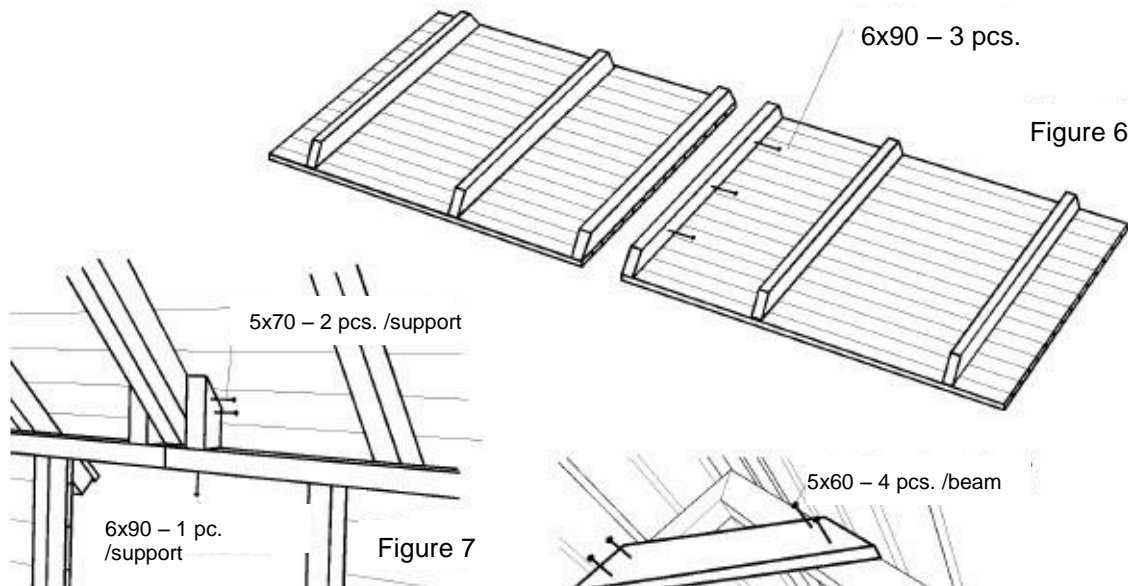


Figure 6

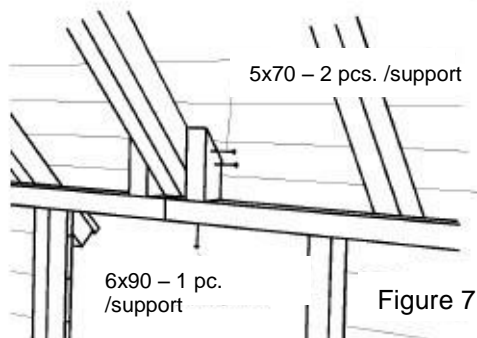


Figure 7

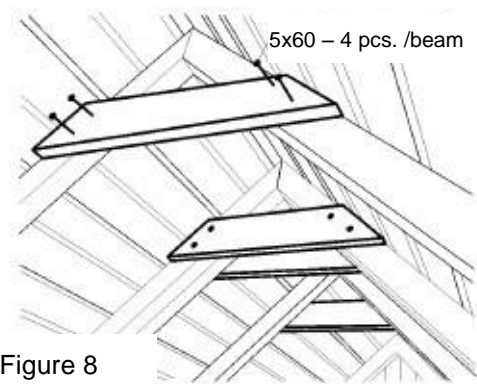


Figure 8

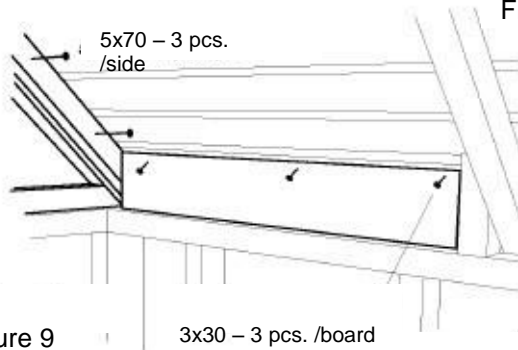


Figure 9

Connect and install the terrace floor according to Figure 10, fasten the boards with nails and cover with plastic. Install the terrace handlebar posts and the supports for the roof (Figure 12). Before fastening, check that they are straight by using the level. Lift the door element into place and fasten it to the structure with screws, 35 x 70/side. Install slats on the external connections of the handle bar and the house wall, fasten the slat with screws (3 x 30).

Covering board above the door on the outside

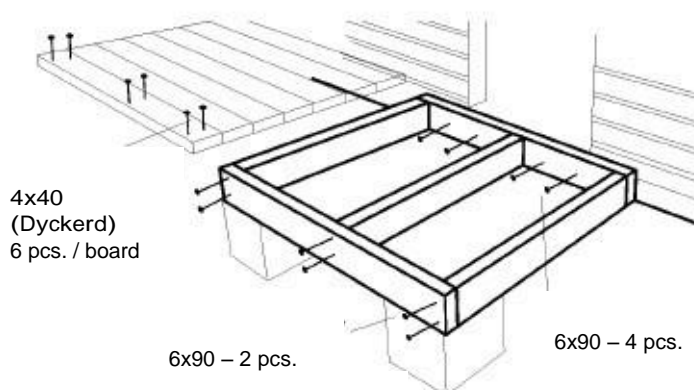


Figure 10

Connect the roof parts of the terrace before placing them onto the supports (Figure 11). Fit the roof in place and fasten it to the supports with screws. Place the handlebars into place according to Figure 13. Fasten the end boards of the roof and clapboards to the walls with screws, the boards should be painted before instalment. Install bolts to the window.

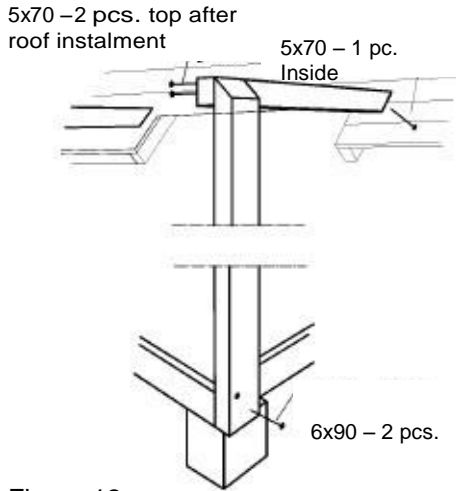


Figure 12

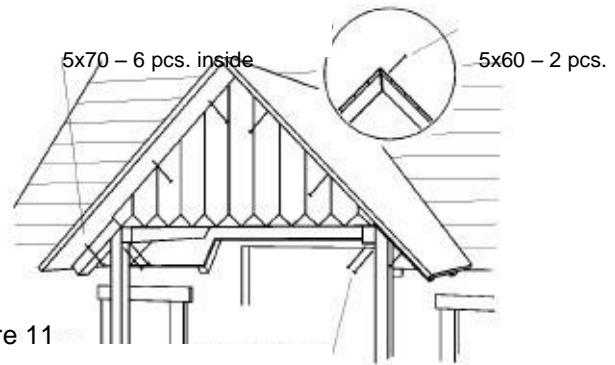


Figure 11

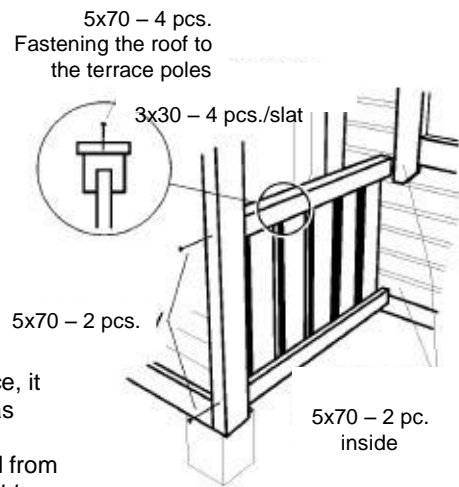


Figure 13

Installing roofing

Firstly nail the eaves sheets (Figure 14). The sheet is turned around the bottom edge of the roof. Then fasten the top edge of the eaves covering to the roof and the terrace, it will also be turned around the bottom edge of the roof as was done with the eaves sheet. Do not forget to remove the protective film from the eaves covering. Covering is installed from left to right. Then fasten the shingles, layer by layer, from left to right, until the ridge.

After installation, cut off the covering that goes over the edge of the roof, use the piece that was cut off at the beginning of every other layer. Fold the last piece of covering as a ridge strip to the side of the roof already covered (a strip of about 100 mm), do the same also with the ridge of the terrace roof. Fasten the end boards with nails.

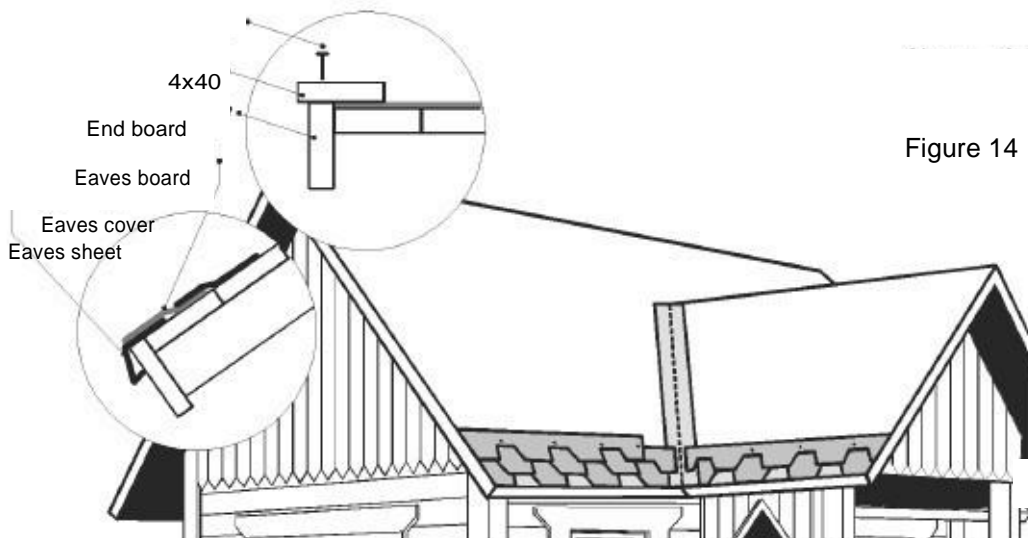


Figure 14